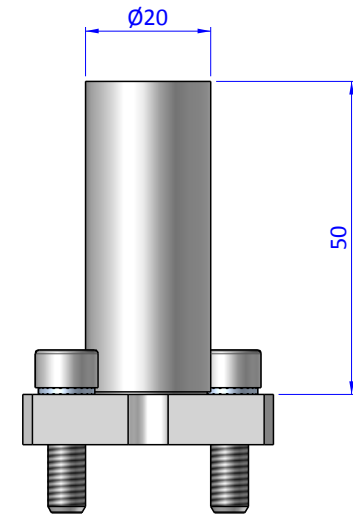
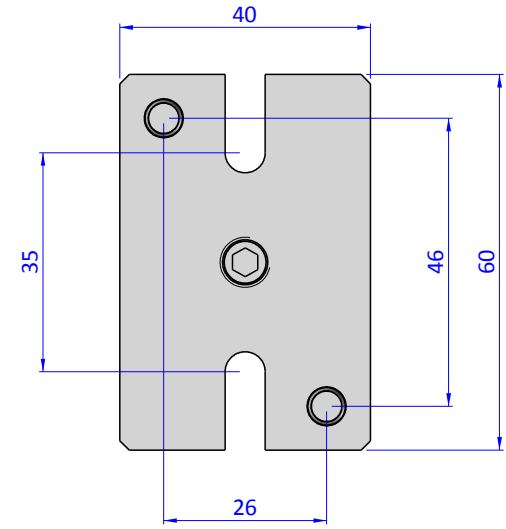
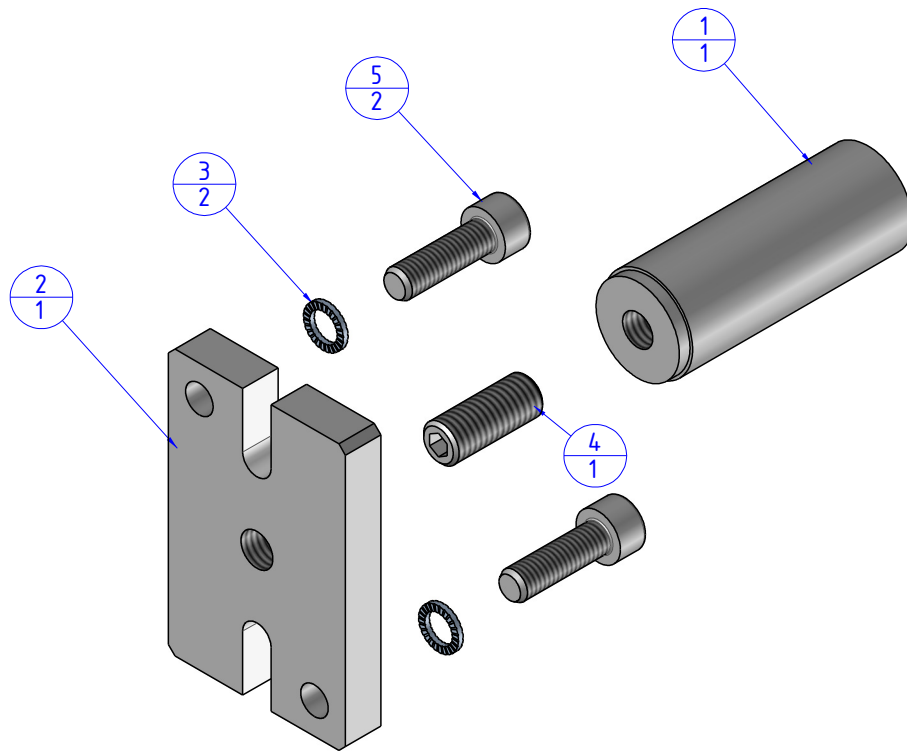



THE PROPERTY OF THE DRAWING IS ESTABLISHED BY LAW. IT IS FORBIDDEN TO PRODUCE OR SHOW IT TO THIRD PARTY, WITHOUT A WRITTEN AGREEMENT.

Item	Name	Q.ty
1	APGE.20.50	1
2	APGE.32	1
3	R.6.SCH	2
4	V.STM8x20	1
5	V.TCE6x20	2



Format A3

UNI 936-76

 FPS FPSERVICES AUTOMATION		DESIGNED FROM		REVIEW
		FPS Automation		A
GENERAL TOLERANCE		DATE	WEIGHT	
UNI - ISO 2768		14/05/2019	0,097kg	
CLASSE f		CODE		
		CA.APGE.32.20.50		CA.APGE.32.20.50